

# INTAKE WATER STRAINERS



# PERKO®

16490 N.W. 13TH AVENUE · MIAMI, FL 33169-5707 · WWW.PERKO.COM

## FIGS. 0493 & 0500 - INTAKE WATER STRAINERS

PERKO WATER STRAINERS ARE DESIGNED FOR EASY INSTALLATION AND CLEANING. FEATURES INCLUDE MOUNTING LUGS CAST INTO BOTH SIDES TO ASSURE UNIVERSAL MOUNTING, FOUR OUTSIDE TIE RODS AND A 316 STAINLESS STEEL STRAINER BASKET TO MINIMIZE ELECTROLYSIS. SCREEN HOLE SIZE DIAMETER .079 INCHES, 47% OPEN AREA. HINGED LUGS FOR THE CAST BRONZE COVER PERMIT EASY REMOVAL AND CLEANING OF THE STRAINER BASKET. A DRAIN PLUG IN THE BOTTOM CASTING IS PROVIDED FOR EASILY REMOVING SEDIMENT AND DRAINING FOR WINTERIZING.

FOR APPLICATIONS REQUIRING HIGHER CAPACITY, USE FIG. 0500.



### CONSTRUCTION:

- CAST BRONZE
- FOR PIPE SIZE 1/2" TO 3"



FIG. 0493



FIG. 0500



FIG. 0593



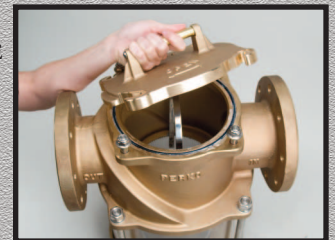
FIG. 0693

### FIG. 0593 EASILY FLUSHES YOUR INBOARD OR GENERATOR WITH FRESH WATER

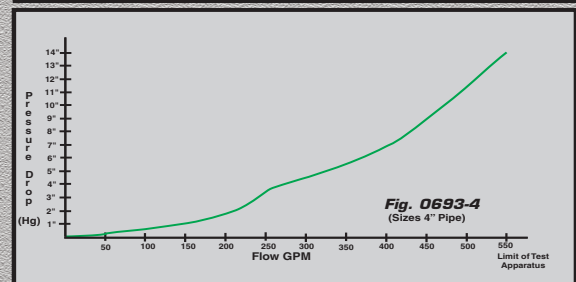
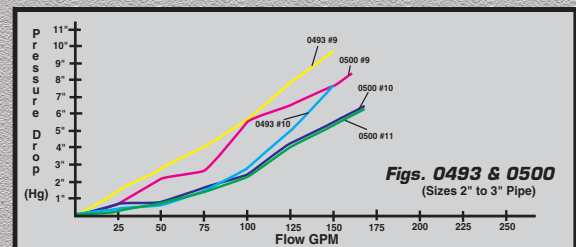
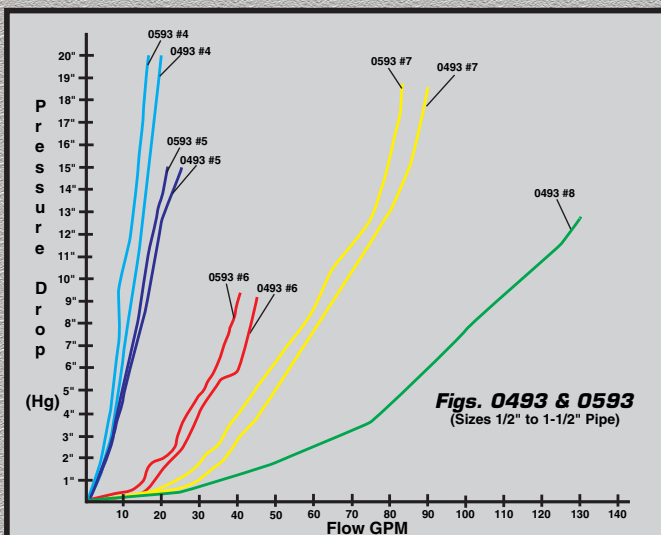
- FOR PIPE SIZE 1/2" TO 1-1/4"
- USES STANDARD PERKO STRAINER REPLACEMENT PARTS (GASKETS, CYLINDERS, NUTS AND TIE RODS)
- HANDLE INDICATES FLOW DIRECTION
- EASY OPEN TOP CASTING ALLOWS FOR BASKET CLEANING
- REVERSIBLE BULKHEAD MOUNTING OPTION
- SMOOTH ACTING, LOW TORQUE BALL VALVE
- CAN ACT AS AN EMERGENCY BILGE PUMP
- INTERNAL CAM SEALS FRESH WATER INTAKE DURING NORMAL (THROUGH STRAINER) OPERATION

### FIG. 0693 LARGE BOAT STRAINER

- 4" FLOW AND FLANGE
- CAST BRONZE CAP WITH HANDLE
- TOP CASTING REMOVES EASILY FOR BASKET CLEANING
- AIRCRAFT STYLE MOUNTING NUTS AND LOCK WASHERS
- STAINLESS STEEL TIE RODS AND NUTS

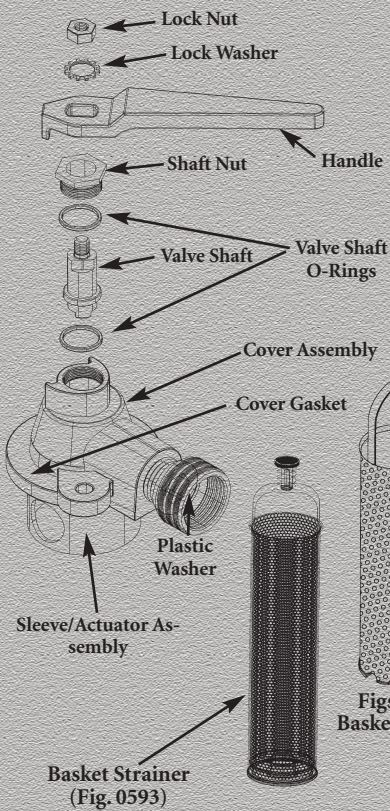


### INTAKE WATER STRAINER DIFFERENTIAL PRESSURE GRAPHS

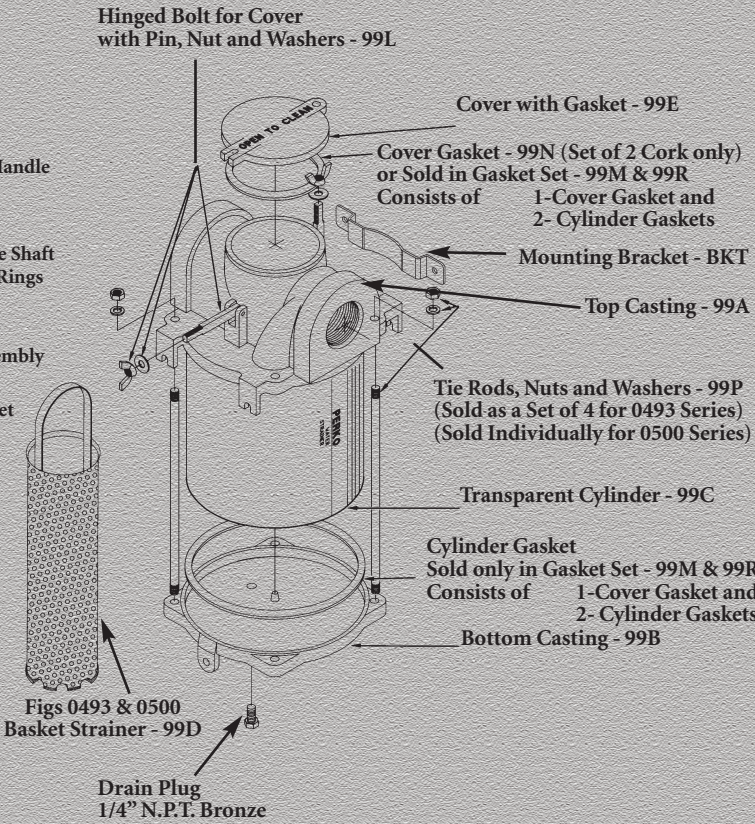


## Figs. 0493, 0500 & 0593 Intake Strainer Spare Parts

**Fig. 0593 Flushing Strainer**



**Figs. 0493 & 0500 Intake Strainer**

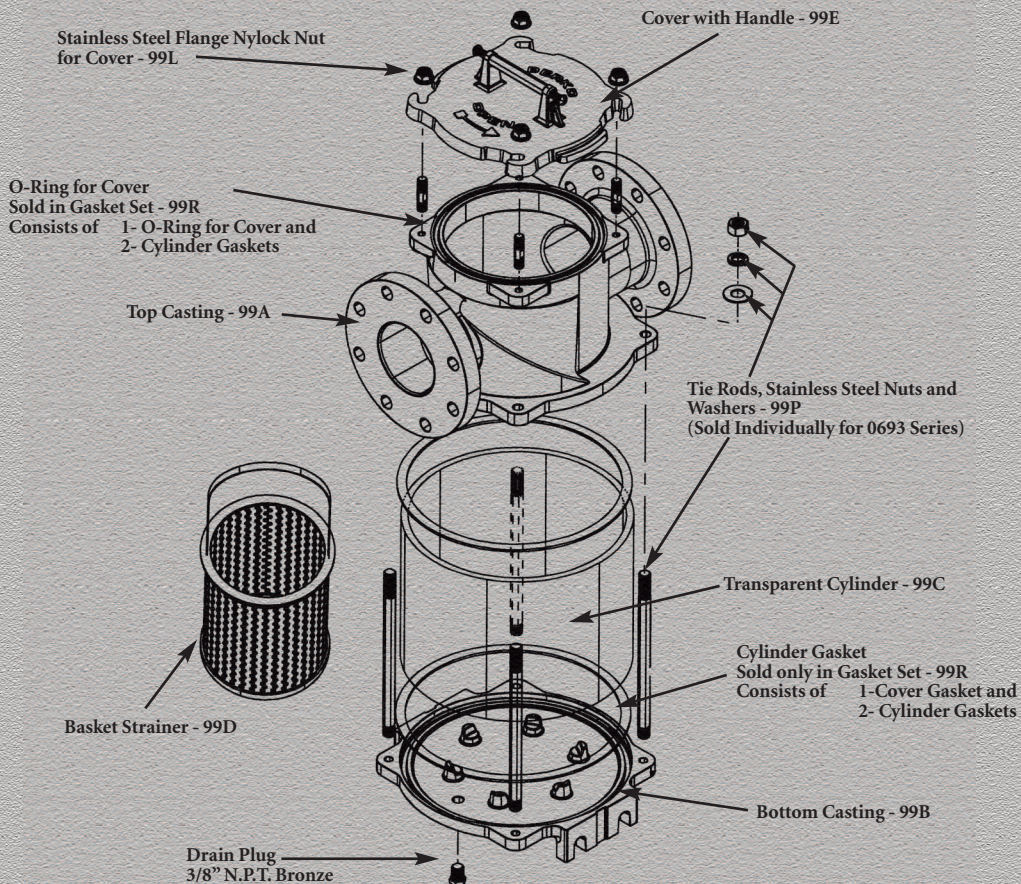


**OPTIONAL MOUNTING BRACKET  
DESIGNED FOR EASE OF INSTALLATION  
OF FIG. 0493 SERIES WATER STRAINERS**



PART NUMBER	FITS STRAINER SIZE
0493045BKT	4 & 5
0493067BKT	6 & 7
0493089BKT	8 & 9

## Fig. 0693 Intake Strainer Spare Parts



# ORDERING INFORMATION

## FIG. 0493 STANDARD STRAINERS

Pipe Size Inches	Height Overall Inches	Width Overall Inches	Standard Pkg. - 1 Pc.	Dimensions Cylinder Inches	Dimensions Basket Inches	Open Area To Pipe Size Ratio	Ship Wt. Carton Lbs. Standard Pkg.	Spare Gasket Kit* Dealer Pkg. - 5 Kts. 1 Kit. per Bag
1/2	5-3/4	4-1/2	0493004PLB	3-1/2 x 4	1-13/16 x 4-3/8	30:1	4.9	0493DP599M (or) 99R
3/4	8-3/8	4-1/2	0493005PLB	3-1/2 x 6	1-13/16 x 6-1/4	25:1	5.0	0493DP599M (or) 99R
1	9-1/2	5-1/2	0493006PLB	4-1/2 x 5-1/2	2-5/8 x 5-7/8	20:1	8.1	0493DP799M (or) 99R
1-1/4	10	5-1/2	0493007PLB	4-1/2 x 6	2-5/8 x 6-1/4	13:1	7.9	0493DP799M (or) 99R
1-1/2	11-1/2	7-1/4	0493008PLB	6 x 8	3-5/16 x 8-7/16	17:1	14.1	0493DP999M (or) 99R
2	16	7-1/2	0493009PLB	6 x 12	3-5/16 x 12-1/4	13:1	18.0	0493DP999M (or) 99R
2-1/2	16	7-1/2	0493010PLB	6 x 12	3-5/16 x 12-1/2	10:1	18.0	0493DP999M (or) 99R

## FIG. 0500 HEAVY DUTY STRAINERS

Pipe Size Inches	Height Overall Inches	Width Overall Inches	Standard Pkg. - 1 Pc.	Dimensions Cylinder Inches	Dimensions Basket Inches	Open Area To Pipe Size Ratio	Ship Wt. Carton Lbs. Standard Pkg.	Spare Gasket Kit* Standard Pkg. - 1 Kit
2	14-1/2	9	0500009PLB	8 x 10	3-7/8 x 10-1/4	20:1	36.0	0500DP999M (or) 99R
2-1/2	16-1/2	9	0500010PLB	8 x 12	3-7/8 x 12-1/4	18:1	35.3	0500DP999M (or) 99R
3	18-1/2	9	0500011PLB	8 x 14	3-7/8 x 14-1/4	14:1	33.8	0500DP999M (or) 99R

\*Spare Gasket Kit Consists of: 1 Cover Gasket and 2 Cylinder Gaskets

### INTAKE WATER STRAINER & FLUSHING STRAINER SPARE PARTS INFORMATION

For Spare Part No. Insert a Spare Part Code Listed Below in Place of the "PLB" in the Strainer's Catalog Number (i.e., 049300699A, Top Casting for 1" (#6) Strainer).

Description	Spare Part Code	Sample Part Number	Package	Description	Spare Part Code	Sample Part Number	Package
Top Casting	.99A	049300499A	Boxed	Cork Gasket Kit Consists of: 1- Cover Gasket and 2- Cork Cylinder Gaskets	.99M*	0493DP599M	Bag
Bottom Casting	.99B	049300499B	Boxed				
Transparent Cylinder	.99C	049300499C	Boxed	Rubber Gasket Kit Consists of: 1- Cover Gasket and 2- Rubber Cylinder Gaskets	.99R*	0493DP599R	Bag
Basket Strainer	.99D	049300499D	Boxed				
Cover with Gasket	.99E	049300499E	Boxed	Tie Rods, Nuts and Washers Consists of (4 Each for 0493 Series) (1 Each for 0500 Series)	.99P	0493DP499P	Bag
Hinged Bolt for Cover							
With Pin, Nut and Washer	.99L	0493DP599L	Bag				
Cork Cover Gasket Kit (Set of 2)	.99N	0493DP599N	Bag				

\* Note: Older model strainers utilizing cork cylinder gaskets must order 99M Cork Gasket Kit and newer model strainers must order 99R Rubber Gasket Kit.

## FIG. 0593 FLUSHING STRAINERS

Pipe Size Inches	Height Overall Inches	Width Overall Inches	Standard Pkg. - 1 Pc.	Dimensions Cylinder Inches	Dimensions Basket Inches	Open Area To Pipe Size Ratio	Weight Pounds	Spare Gasket Kit* Dealer Pkg. - 5 Kts. 1 Kit per Bag
1/2	5-3/4	4-1/2	0593004PLB	3-1/2 x 4	1-13/16 x 4-3/8	30:1	5.9	0493DP599R
3/4	8-3/8	4-1/2	0593005PLB	3-1/2 x 6	1-13/16 x 6-1/4	25:1	5.9	0493DP599R
1	9-1/2	5-1/2	0593006PLB	4-1/2 x 5-1/2	2-5/8 x 5-7/8	20:1	9.1	0493DP799R
1-1/4	10	5-1/2	0593007PLB	4-1/2 x 6	2-5/8 x 6-1/4	13:1	9.1	0493DP799R

### FLUSHING STRAINER SPARE PARTS INFORMATION

Description	Spare Part Code	Sample Part Number	Package	Description	Spare Part Code	Sample Part Number	Package
Handle (Fig. 0805)	99D	080500599D**	Boxed	Sleeve Assy.	99B	059300499B	Boxed
Valve Shaft	99A	059300499A	Boxed	Cover Assy.	99C	059300499C	Boxed

## FIG. 0693 HEAVY DUTY LARGE BOAT 4" STRAINER

Pipe Size Inches	Height Overall Inches	Width Overall Inches	Standard Pkg. - 1 Pc.	Dimensions Cylinder Inches	Dimensions Basket Inches	Open Area To Pipe Size Ratio	Ship Wt. Carton Lbs. Standard Pkg.	Spare Gasket Kit* Standard Pkg. - 1 Kit
4	17-1/2	16-1/2	0693012PLB	12 OD x 8-3/4	6-3/4 x 8-5/8	10:1	122.0	069301299R

### 4" INTAKE WATER STRAINER SPARE PARTS INFORMATION

Description	Spare Part Code	Sample Part Number	Package	Description	Spare Part Code	Sample Part Number	Package
Top Casting	.99A	069301299A	Boxed	Nylock Nut & Stud for Cover	.99L	069301299L	Bag
Bottom Casting	.99B	069301299B	Boxed				
Transparent Cylinder	.99C	069301299C	Boxed	Gasket Kit Consists of: 1- Rubber O-Ring for Cover and 2- Rubber Cylinder Gaskets	.99R*	069301299R	Bag
Basket Strainer	.99D	069301299D	Boxed				
Cover with Handle	.99E	069301299E	Boxed				
Stainless Steel Flange Nylock Nut for Cover				Consists of (1 Each for 0693 Series)	.99P	069301299P	Bag